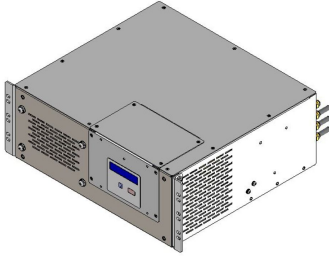


MT500D



DryLine® Dehydrator, Low-pressure membrane, 19 in rack mountable, Wall mountable, Cut-in at 2.0 psi, Cut-out at 5.0 psi, with discrete and summary alarms, 115/230 Vac, 50/60 Hz

- See related products for dc options, sold separately

Product Classification

Product Type	Dehydrator
Product Brand	DryLine®

General Specifications

Alarm Type	Discrete Summary
Circuit Breaker Requirement	Electrical connections require separate circuits for dehydrator installation
Cut In Pressure	14 kPa 96.527 psig
Cut In Pressure Default	14 kPa 96.527 psig
Cut In/Out Pressure Type	Factory set
Cut Out Pressure	34.5 kPa 237.869 psig
Cut Out Pressure Default	34.5 kPa 237.869 psig
Dehydrator Type	Automatic Membrane
Dew Point	Better than -45 °C (-50 °F) at 95% RH at +40 °C (+104 °F)
Excess-Run Alarm	10 minutes, factory set
Flow Rate, nominal	14.2 SLPM
High-Humidity Alarm	7.5% RH, factory set
High-Pressure Alarm	Factory set (only on summary contacts)
Low-Pressure Alarm	68 mbar 7 kPa 1 psig
Mounting	Bench Floor Rack Wall
Port Count	4
Port Type	3/8 in PE tube
Power Cord	Europe power cord with stripped leads USA power cord
Power-Fail Alarm	Loss of input power
Rack Type	EIA 19 in ETSI N3 (optional)

MT500D

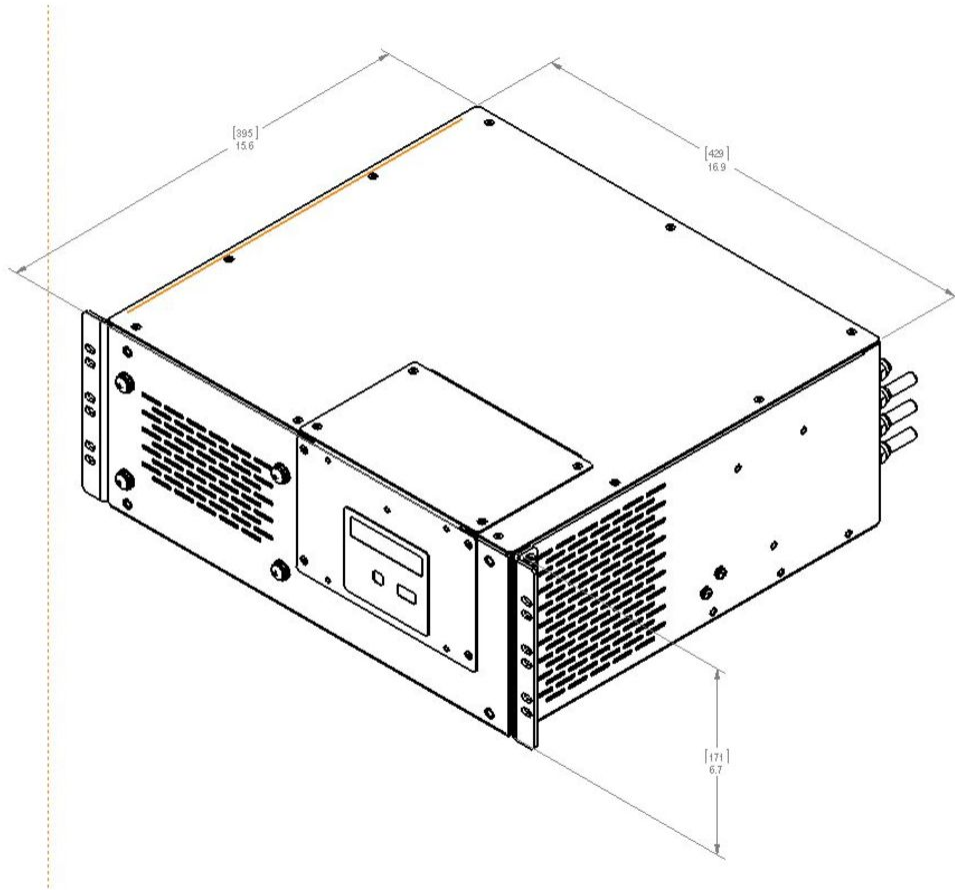
Rack Units 4

Dimensions

Product Height	172.7 mm 6.799 in
Product Width	439.4 mm 17.299 in
Product Depth	419.1 mm 16.5 in
Volume Capacity, maximum	3.398 m ³ 119.999 ft ³
Volume Capacity, minimum	0.283 m ³ 10.001 ft ³

MT500D

Outline Drawing–Section



Electrical Specifications

Alarm Contact Rating	Form C dry contacts, 2 amps at 30 Vdc
Power Consumption, at runtime	275 W
Power Consumption, average	8.3 W
Power Consumption, maximum	275 W
Power Consumption, minimum	0.2 W
Power Frequency	60/50 Hz
Power Phase	Single
Suggested Circuit Breaker Size	20 A
Voltage	115/230 Vac \pm 10%, selectable

MT500D

Voltage Type ac

Environmental Specifications

Operating Temperature -10 °C to +50 °C (+14 °F to +122 °F)

Packaging and Weights

Height, packed 312.4 mm | 12.299 in

Width, packed 502.9 mm | 19.799 in

Depth, packed 541 mm | 21.299 in

Included 3/8 in polyethylene tubing | 90° elbow fitting | Instruction sheet | Male connector fitting | Needle valve | PTFE tape | Power cord

Weight, gross 19 kg | 41.888 lb

Weight, net 16 kg | 35.274 lb

Regulatory Compliance/Certifications

Agency

ISO 9001:2015

Classification

Designed, manufactured and/or distributed under this quality management system

