

114EZDF



7-16 DIN Female EZfit® for 1-1/4 in FXL1480 and AVA6-50 cable

Product Classification

| | |
|----------------------|----------------------------------|
| Product Type | Wireless and radiating connector |
| Product Brand | EZfit® |
| Ordering Note | CommScope® non-standard product |

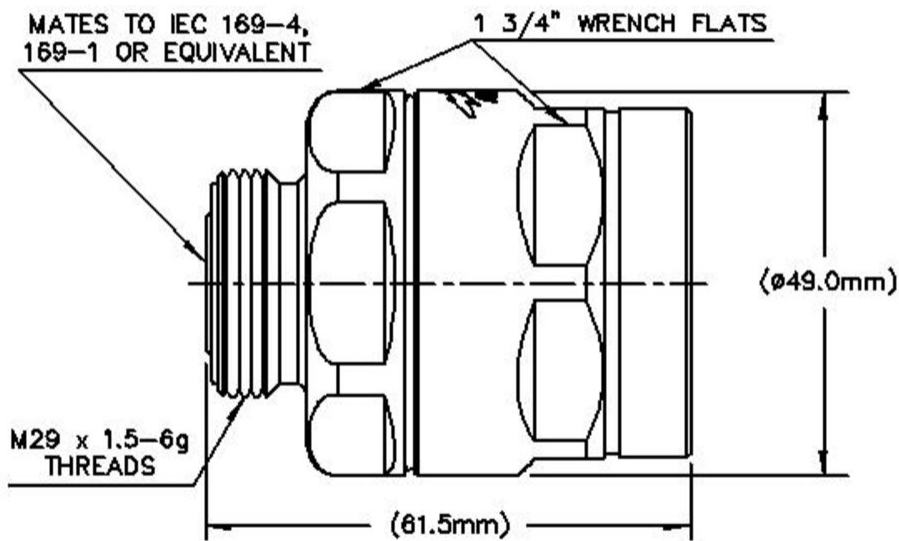
General Specifications

| | |
|--|--------------------|
| Body Style | Straight |
| Cable Family | AVA6-50 FXL-1480 |
| Inner Contact Attachment Method | Captivated |
| Inner Contact Plating | Silver |
| Interface | 7-16 DIN Female |
| Mounting Angle | Straight |
| Outer Contact Attachment Method | Clamp |
| Outer Contact Plating | Trimetal |
| Pressurizable | No |

Dimensions

| | |
|---------------------|---------------------|
| Length | 2.42 in 61.468 mm |
| Diameter | 1.93 in 49.022 mm |
| Nominal Size | 1-1/4 in |

Outline Drawing



Electrical Specifications

| | |
|--|----------------------|
| 3rd Order IMD at Frequency | -116 dBm @ 1800 MHz |
| 3rd Order IMD Test Method | Two +43 dBm carriers |
| Insertion Loss, typical | 0.05 dB |
| Attenuation, Ambient Temperature | 20 °C 68 °F |
| Average Power at Frequency | 3.0 kW @ 900 MHz |
| Cable Impedance | 50 ohm |
| Connector Impedance | 50 ohm |
| dc Test Voltage | 4000 V |
| Inner Contact Resistance, maximum | 1.5 mOhm |
| Insulation Resistance, minimum | 5000 MOhm |
| Operating Frequency Band | 0 – 3300 MHz |

114EZDF

| | |
|---|----------|
| Outer Contact Resistance, maximum | 0.8 mOhm |
| Peak Power, maximum | 40 kW |
| RF Operating Voltage, maximum (vrms) | 1415 V |

VSWR/Return Loss

| Frequency Band | VSWR | Return Loss (dB) |
|-----------------------|-------------|-------------------------|
| 50–1000 MHz | 1.03 | 38 |
| 1000–1900 MHz | 1.03 | 37 |
| 1900–2200 MHz | 1.04 | 36 |
| 2200–2700 MHz | 1.05 | 33 |
| 2700–3300 MHz | 1.07 | 30 |

Mechanical Specifications

| | |
|--|-----------------------|
| Attachment Durability | 25 cycles |
| Connector Retention Tensile Force | 300 lbf 1,334.466 N |
| Connector Retention Torque | 72 in lb 8.135 N-m |
| Insertion Force | 45 lbf 200.17 N |
| Insertion Force Method | IEC 61169-1:15.2.4 |
| Interface Durability | 50 cycles |
| Interface Durability Method | IEC 61169-4:9.5 |
| Mechanical Shock Test Method | IEC 60068-2-27 |

Environmental Specifications

| | |
|---|--------------------------------------|
| Operating Temperature | -40 °C to +85 °C (-40 °F to +185 °F) |
| Storage Temperature | -55 °C to +85 °C (-67 °F to +185 °F) |
| Average Power, Ambient Temperature | 40 °C 104 °F |
| Corrosion Test Method | IEC 60068-2-11, Test Condition Ka |
| Immersion Depth | 1 m |
| Immersion Test Mating | Mated |
| Immersion Test Method | IEC 60529:2001, IP68 |
| Moisture Resistance Test Method | IEC 60529, IP68 |
| Vibration Test Method | IEC 60068-2-6 |
| Water Jetting Test Mating | Mated |

114EZDF

Water Jetting Test Method

IEC 60529:2001, IP66

Packaging and Weights

Weight, net

284 g | 0.626 lb

Regulatory Compliance/Certifications

Agency

CHINA-ROHS

ISO 9001:2015

REACH-SVHC

ROHS

Classification

Below maximum concentration value

Designed, manufactured and/or distributed under this quality management system

Compliant as per SVHC revision on www.commscope.com/ProductCompliance

Compliant



* Footnotes

Immersion Depth

Immersion at specified depth for 24 hours

Insertion Loss, typical

$0.05\sqrt{\text{freq}}$ (GHz) (not applicable for elliptical waveguide)