

# CELLMAX-O-CPUSE

---



Cell-Max™ Omni In-building Antenna, 698–960 MHz and 1710–2700 MHz

- This product is part of the CommScope Wired for Wireless® Solution

## Product Classification

<b>Product Type</b>	In-building antenna
<b>Product Brand</b>	Cell-Max™

## General Specifications

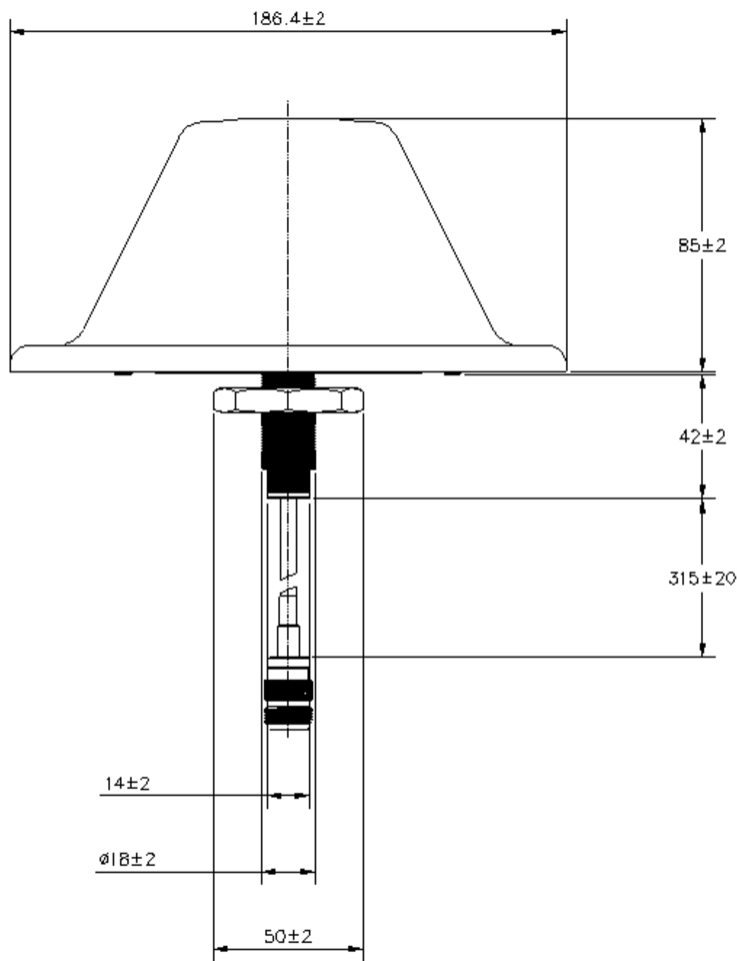
<b>Antenna Type</b>	Omni
<b>Application</b>	Indoor
<b>Color</b>	White
<b>Mounting</b>	Thru-hole ceiling mount (optional)
<b>Pigtail Cable</b>	KSR195, plenum rated
<b>RF Connector Interface</b>	N Female

## Dimensions

<b>Height</b>	85 mm   3.346 in
<b>Pigtail Length</b>	315 mm   12.402 in
<b>Outer Diameter</b>	186 mm   7.323 in

# CELLMAX-O-CPUSE

## Outline Drawing



## Electrical Specifications

<b>Impedance</b>	50 ohm
<b>Operating Frequency Band</b>	1710 – 2700 MHz   698 – 960 MHz
<b>Polarization</b>	Vertical

## Electrical Specifications

Frequency Band, MHz	698–800	800–960	1710–2700
<b>Gain, dBi</b>	2	2	5
<b>Beamwidth, Horizontal, degrees</b>	360	360	360
<b>VSWR   Return loss, dB</b>	1.8   10.9	1.5   14.0	1.5   14.0
<b>Input Power per Port, maximum, watts</b>	50	50	50

# CELLMAX-O-CPUSE

---

## Material Specifications

**Radome Material**                      ABS

## Environmental Specifications

**Operating Temperature**            -40 °C to +60 °C (-40 °F to +140 °F)

**Relative Humidity**                    Up to 100%

## Packaging and Weights

**Height, packed**                        135 mm | 5.315 in

**Width, packed**                         195 mm | 7.677 in

**Length, packed**                        195 mm | 7.677 in

**Packaging quantity**                   1

**Weight, gross**                         0.4 kg | 0.882 lb

**Weight, net**                             0.3 kg | 0.661 lb

## Regulatory Compliance/Certifications

### Agency

ISO 9001:2015

### Classification

Designed, manufactured and/or distributed under this quality management system

