

# CMAX-OMF1-CPUSEV53

---



Cell-Max™ Low PIM Omni MIMO In-building Antenna, 698–960 MHz and 1710–2700 MHz

## Product Classification

<b>Product Type</b>	In-building antenna
<b>Product Brand</b>	Cell-Max™

## General Specifications

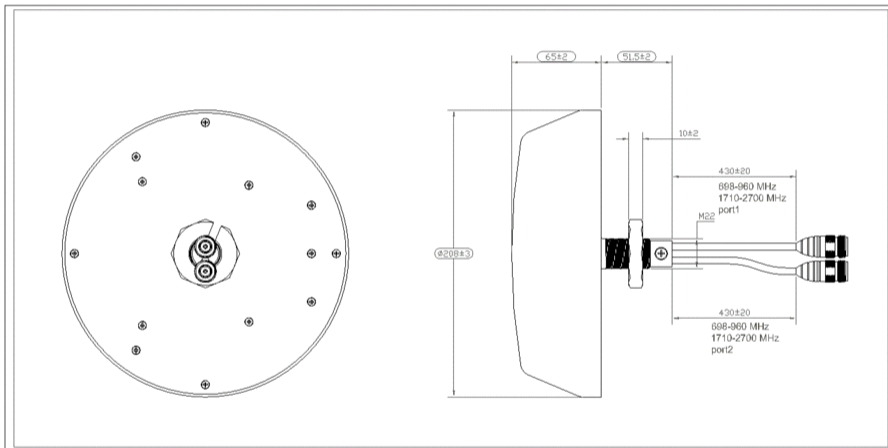
<b>Antenna Type</b>	Omni
<b>Application</b>	Indoor
<b>Color</b>	White
<b>Mounting</b>	Thru-hole ceiling mount (optional)
<b>Number of Ports, all types</b>	2
<b>Pigtail Cable</b>	670-141SXE, plenum rated
<b>RF Connector Interface</b>	N Female

## Dimensions

<b>Height</b>	65 mm   2.559 in
<b>Pigtail Length</b>	500 mm   19.685 in
<b>Outer Diameter</b>	208 mm   8.189 in

# CMAX-OMF1-CPUSEV53

## Outline Drawing



## Electrical Specifications

<b>Impedance</b>	50 ohm
<b>Operating Frequency Band</b>	1710 – 2700 MHz   698 – 960 MHz

## Electrical Specifications

Frequency Band, MHz	698–800	800–960	1710–2200	2200–2700
<b>Gain, dBi</b>	4	4.3	5.3	5.5
<b>Beamwidth, Horizontal, degrees</b>	360	360	360	360
<b>Isolation, Cross Polarization, dB</b>	18	18	18	18
<b>VSWR   Return loss, dB</b>	1.5   14.0	1.5   14.0	1.5   14.0	1.5   14.0
<b>PIM, 3rd Order, 2 x 20 W, dBc</b>	-153	-153	-153	-153

# CMAX-OMF1-CPUSEV53

---

**Input Power per Port, maximum, watts**                      50                                      50                                      50                                      50

## Material Specifications

**Radome Material**                                      ABS

## Environmental Specifications

**Operating Temperature**                                      -40 °C to +60 °C (-40 °F to +140 °F)

**Relative Humidity**                                      Up to 100%

## Packaging and Weights

**Height, packed**                                      200 mm | 7.874 in

**Width, packed**                                      210 mm | 8.268 in

**Length, packed**                                      165 mm | 6.496 in

**Weight, gross**                                      0.6 kg | 1.323 lb

**Weight, net**                                      0.5 kg | 1.102 lb

## Regulatory Compliance/Certifications

<b>Agency</b>	<b>Classification</b>
CHINA-ROHS	Below maximum concentration value
ISO 9001:2015	Designed, manufactured and/or distributed under this quality management system
REACH-SVHC	Compliant as per SVHC revision on <a href="http://www.commscope.com/ProductCompliance">www.commscope.com/ProductCompliance</a>
ROHS	Compliant

